

Float-N-Screen®

Patent #5052955

FLOAT-N-PRODUCTS™

Unique solutions to your pumping problems

Keep silt and debris out of your equipment and off your turf!

The Float-N-Screen® is designed to prevent silt and debris from being pumped throughout the irrigation system from the bottom of the water source and onto the turf and landscape areas.

Save valuable maintenance and replacement dollars!

- Dramatically increase equipment life
- Reduce pump and irrigation equipment maintenance costs
- Minimizes silt and debris build-up on turf areas.



Construction Phase of Lone Star Park in Grand Prairie

Why the Float-N-Screen® works so well...

The Float-N-Screen® positions the intake screen near the top of the water surface rather than resting on the bottom of the water source where silt and debris collect. Oxygen enriched water, with fewer minerals, can then be used for stimulating turfgrass and landscape growth.

Float-N-Products™ manufactured by:

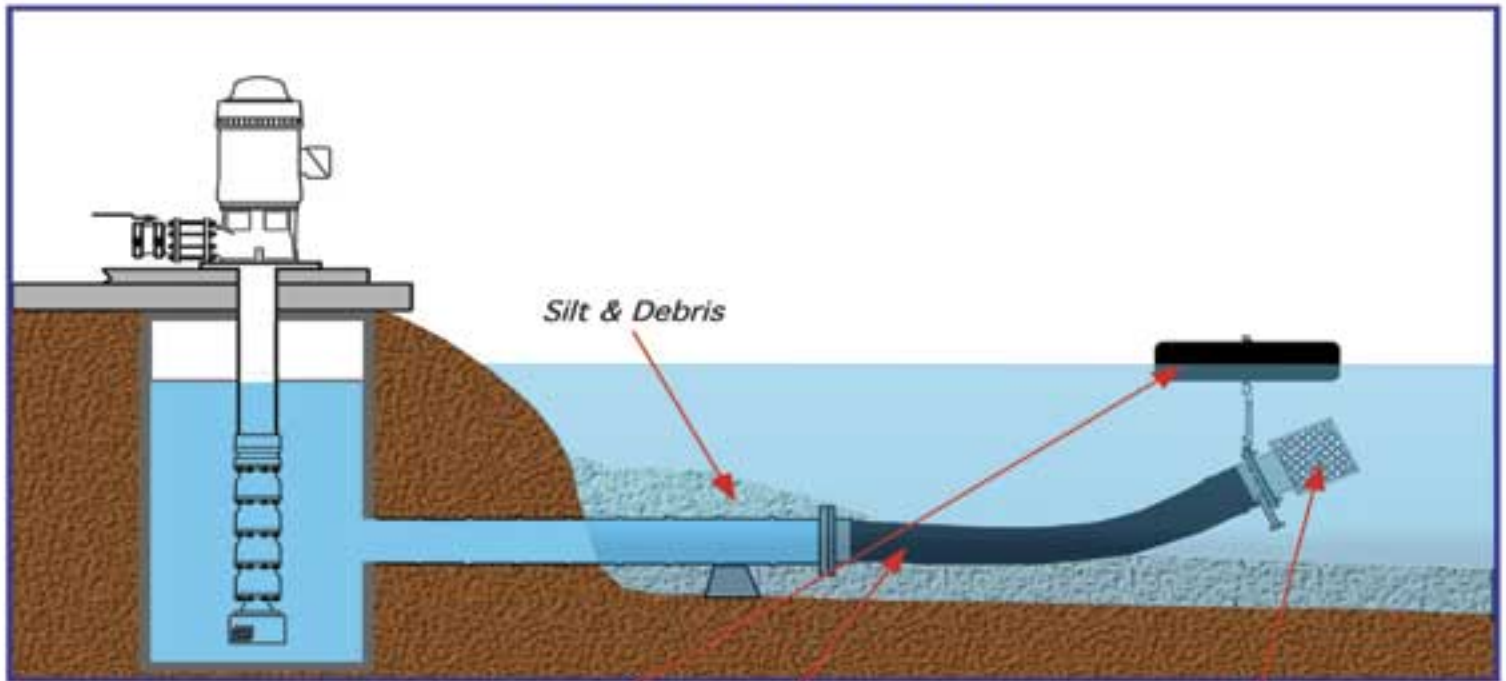
201 East Myrtle, Suite 116
Angleton, Texas 77515
(979) 848-8940

Greenscape
Pump Services, Inc.

1425 Whitlock Lane, Suite 108
Carrollton, Texas 75006
(972) 446-0037 / Fax: (972) 446-0313
Toll Free: (877) 401-4774

Water Features · Float-N-Products™ · Pump Systems
greenscapepump.com

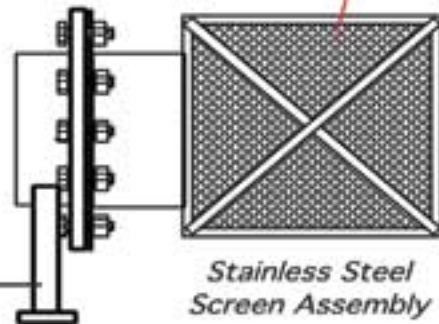
Float-N-Screen®



Foam Core
Fiberglass Float



Low-Water Stop



Stainless Steel
Screen Assembly

SBR Hose



The hose is a custom-designed, 4-ply, steel-coil reinforced, SBR hose that combines the unique qualities of strength and flexibility. Dual helix construction with flanged ends ensure integrity of the connection points and full-vacuum rating. Each unit is supplied with a 20-foot section as standard equipment with other lengths available.

Float-N-Products™ manufactured by:

201 East Myrtle, Suite 116
Angleton, Texas 77515
(979) 848-8940



1425 Whitlock Lane, Suite 108
Carrollton, Texas 75006
(972) 446-0037 / Fax: (972) 446-0313
Toll Free: (877) 401-4774

Water Features · Float-N-Products™ · Pump Systems
greenscapepump.com